

Customer ID

Surname

Forename

Telephone

Gender

Date joined

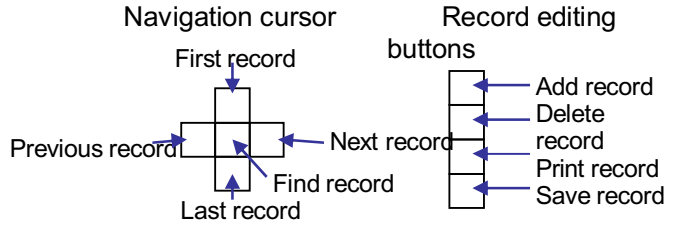
Date of birth

Address

Postcode

Town

Borough



-	-	-	-	-
-	-	-	-	-
-	-	-	-	-
-	-	-	-	-
-	-	-	-	-
-	-	-	-	-
-	-	-	-	-
-	-	-	-	-
-	-	-	-	-
-	-	-	-	-

ID Number

Title

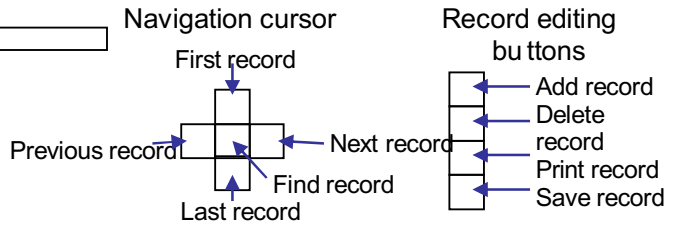
Barcode

VHS or DVD

Rating

Stock

Genre



Customer ID

Video ID

Video Name

Loan ID

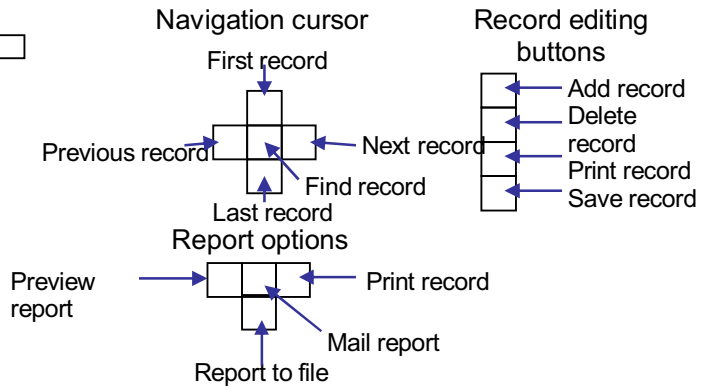
Cost of rental

Issue Date

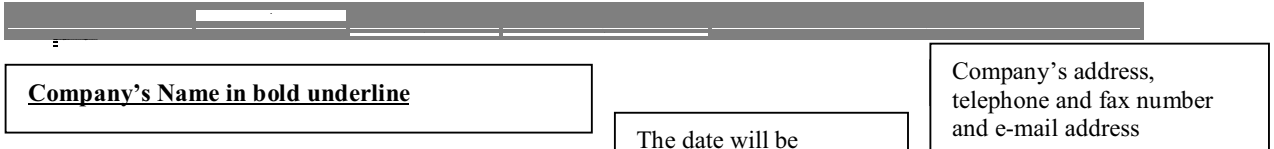
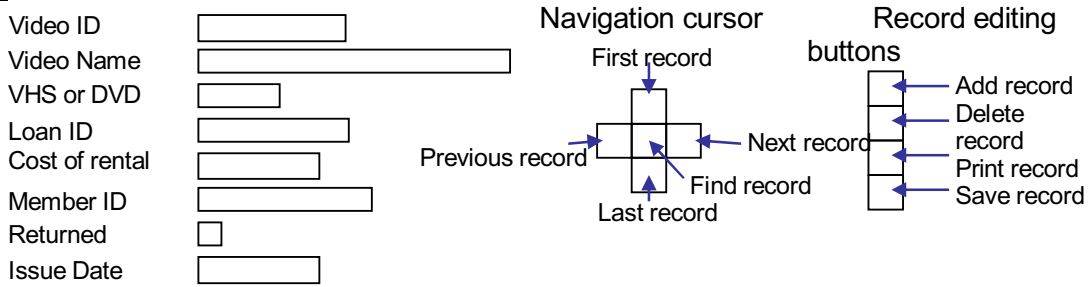
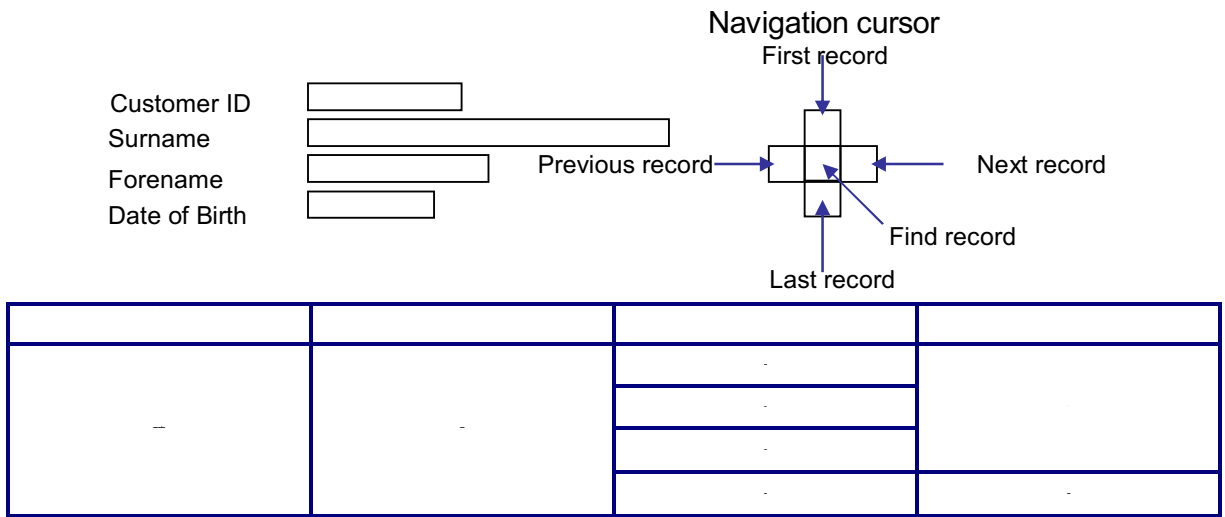
Date Due

Days Overdue

Overdue Cost



-	-	-	-	-
---	---	---	---	---



Forename
Surname
Member ID

Address
Town
Postcode
Borough

Date Joined

Message

----- Query header -----

Rentals Outstanding in bold underline

Video Name (title)	Cost of issue (title)	Issue Date (title)	Date Due (title)	Days Overdue (title)	Overdue Cost (title)
Customer ID		Video		Video ID Number	
Video Name (detail)	Cost of issue (detail)	Issue Date (detail)	Date Due (detail)	Days Overdue (detail)	Overdue Cost (detail)
		Member ID			

----- Query Footer -----

Starlight Video

Members

Customer ID	<input type="text"/>
Surname	<input type="text"/>
Forename	<input type="text"/>
Telephone	<input type="text"/>
Gender	<input type="text"/>
Date joined	<input type="text"/>
Date of birth	<input type="text"/>
Address	<input type="text"/>
Postcode	<input type="text"/>
Town	<input type="text"/>
Borough	<input type="text"/>

The navigation and action buttons are arranged as follows:

- A central cross-shaped arrangement of five buttons: "Previous record" (left), "First record" (top), "Next record" (right), "Find record" (bottom-right), and "Last record" (bottom).
- A horizontal row of five buttons below the cross: "Add record" (left), "Delete record" (middle), "Print record" (bottom-left), and "Save record" (bottom-right).

